

Table 1: Housing color and key code

Part no.	Insulator color	Key code	Mating plug part no.
TAK-A4MDGB-AF+	Black		TAK-A4SFCGB-AA+
TAK-A4MDGA-BF+	Blue		TAK-A4SFCGA-BA+
TAK-A4MDGC-CF+	Brown		TAK-A4SFCGC-CA+
TAK-A4MDGG-DF+	Green		TAK-A4SFCGG-DA+

Recommended P.C.B layout
P.C.B thickness: 1.2mm~1.6mm
(Connector side)

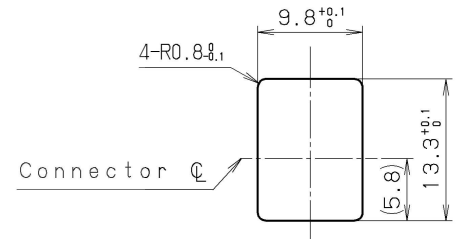
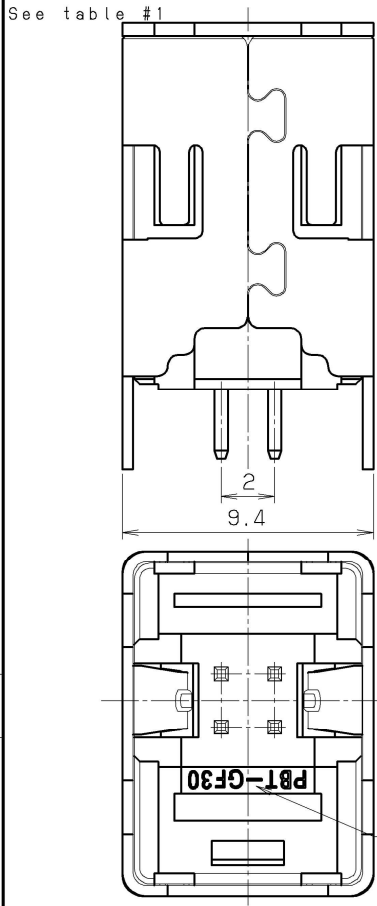


Table 2 Connector pin assignment

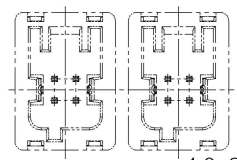
Pos. #	Signal name
1	VBUS
2	D-
3	D+
4	GND

Panel opening size
(Recommended panel thickness: 1.0mm)



Material code

RoHS compliant



Recommended connector arrangement

LTR.	DATE	BY	REV.	DESCRIPT	No.	PART NAME	MATERIAL	QTY	FINISH	NOTE
					3	Shell	Stainless steel	1	Nickel plating	
					2	Contact	Copper alloy	4	Gold plating	
					1	Insulator	PBT	1		
	24. Feb. 2012	T. K		Changed shape						
	DATE	SCALE	UNIT							
	Feb. 9. 2012	5/1	mm (INCH)	3RD. A. P	HONDA TSUSHIN KOGYO CO., LTD.					
	APP. DATE&REV.									
DR.	DE.	CHK.	CHK.	APP.	NAME		4 pos. board receptacle connector for application-USB (RoHS)			
T. KAWANO	T. KAWANO	H. AIZAWA		K. KASHIO	PART NO.	TAK-A4MDG () - () F+		REV.		